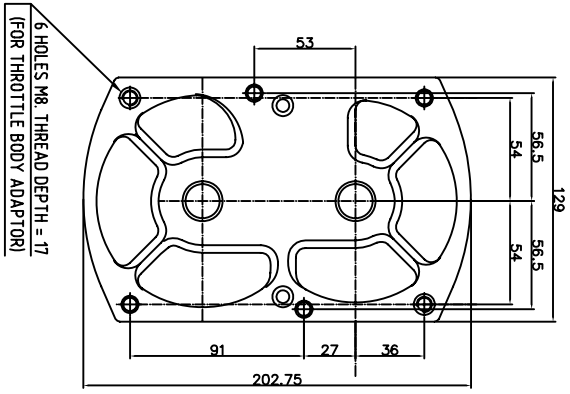
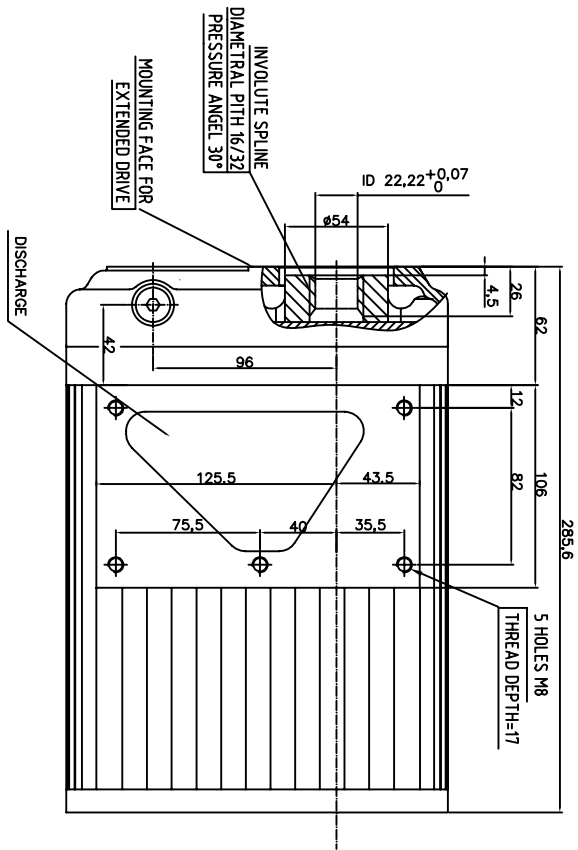


# HPS 2.1 RC



6 HOLES M8. THREAD DEPTH = 17  
(FOR THROTTLE BODY ADAPTOR)

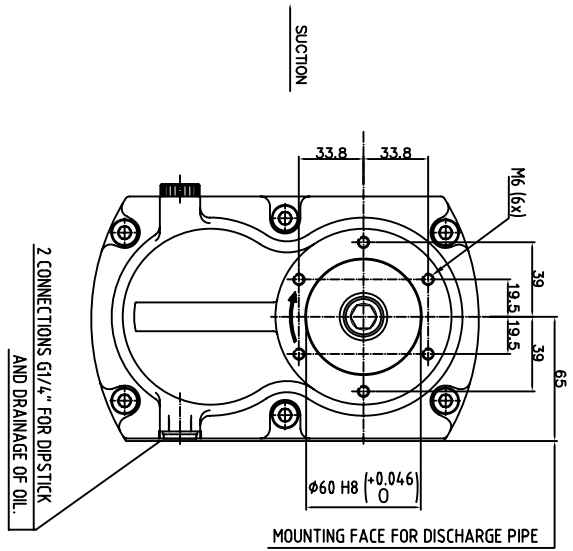


DISCHARGE

MOUNTING FACE FOR  
EXTENDED DRIVE

INVOLUTE SPLINE  
DIAMETRAL PITCH 16/32  
PRESSURE ANGLE 30°

SUCTION



MOUNTING FACE FOR DISCHARGE PIPE