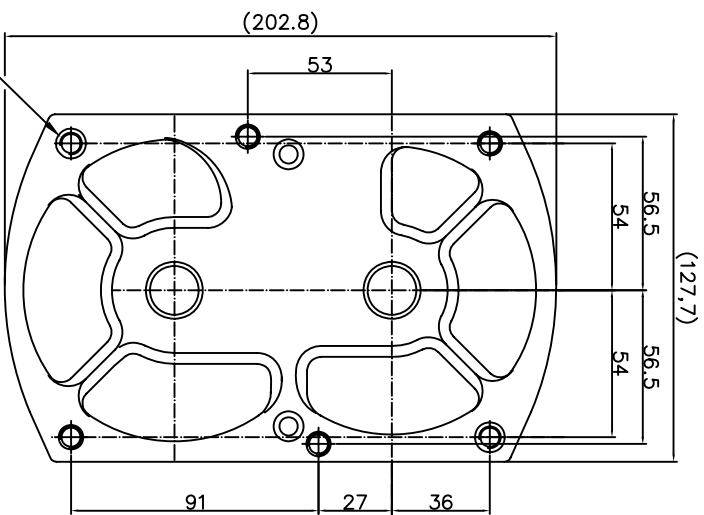


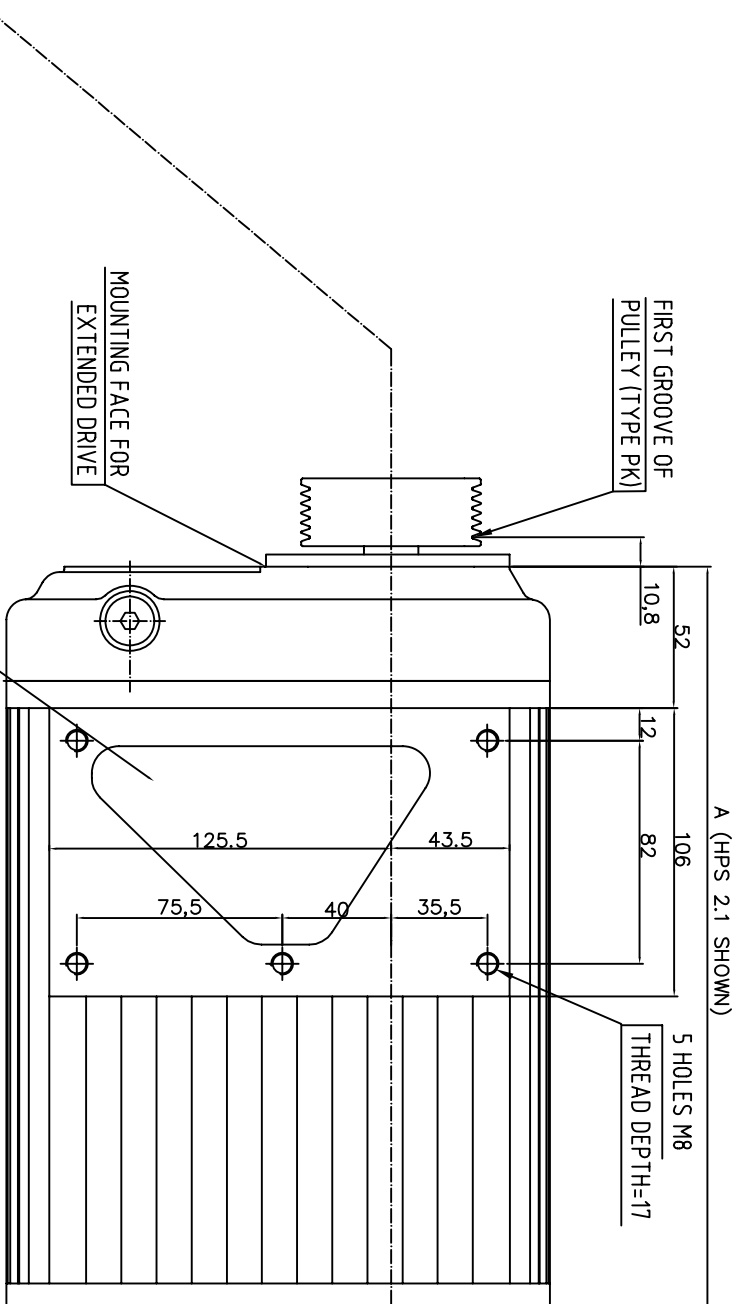
STANDARD MODELS OF HPS		PRODUCT ID NUMBER	SUPER-CHARGER TYPE	BUILT IN PRESSURE RATIO	DISPL. LITRES/REV	DIMENSION A	WEIGHT KGS	MAX SPEED RPM (CONT.)	MAX CAP. M ³ /MIN
BLACK	POLISHED	400-01	HPS 2.1	1.4	2.1	275.6	12.4	14000	27
300-01	300-02	HPS 2.4	HPS 2.4	1.4	2.4	303.75	13.6	14000	30
350-01	350-02	HPS 2.6	HPS 2.6	1.4	2.6	321.75	14.5	14000	33
360-01	360-02	HPS 2.8	HPS 2.8	1.4	2.8	340.75	15.3	14000	35

SIZE RANGE HPS: OTHER BUILT IN PRESSURE RATIOS AND DISPLACEMENTS ARE AVAILABLE ON REQUEST

APRIL 12 2006

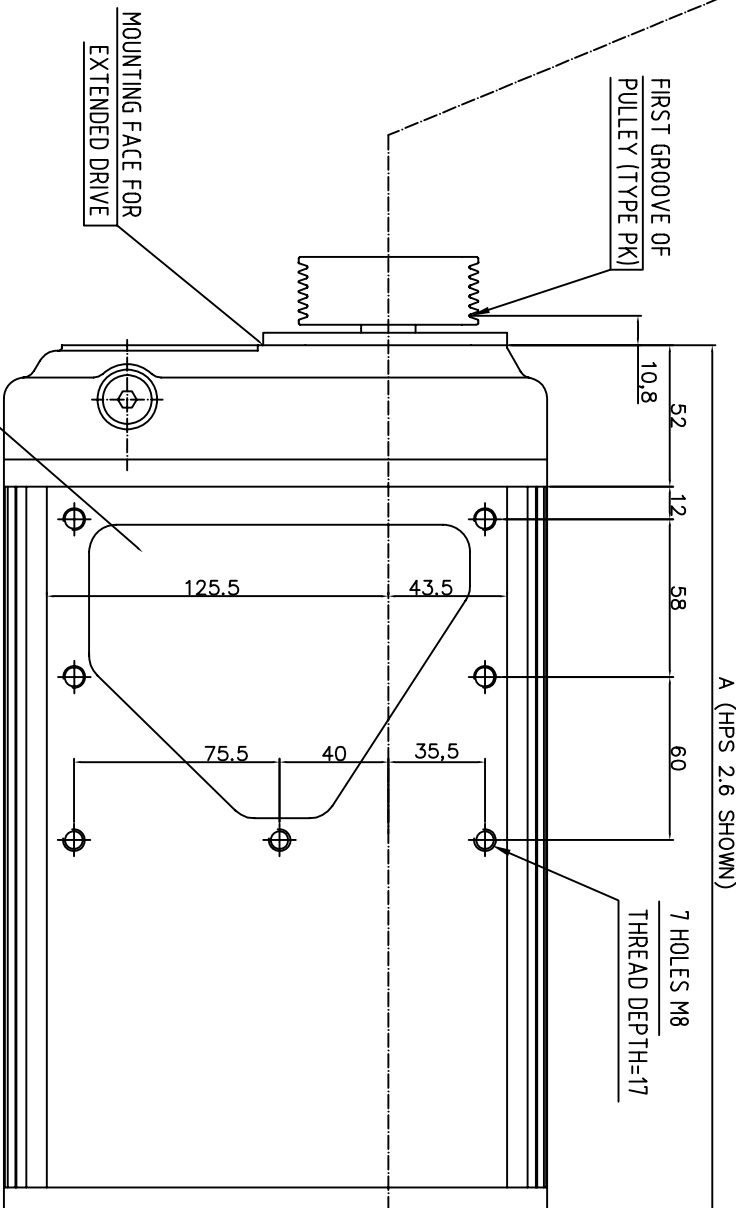


6 HOLES M8, THREAD DEPTH = 17 (FOR THROTTLE BODY ADAPTOR)



HPS 2.1 AND 2.4

SUCTION



HPS 2.6 AND 2.8

SUCTION

